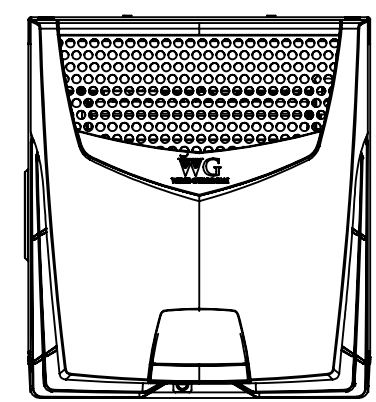
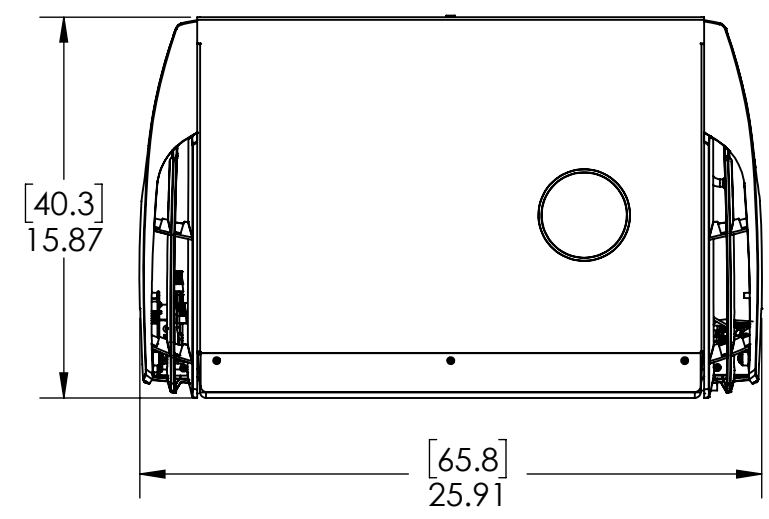
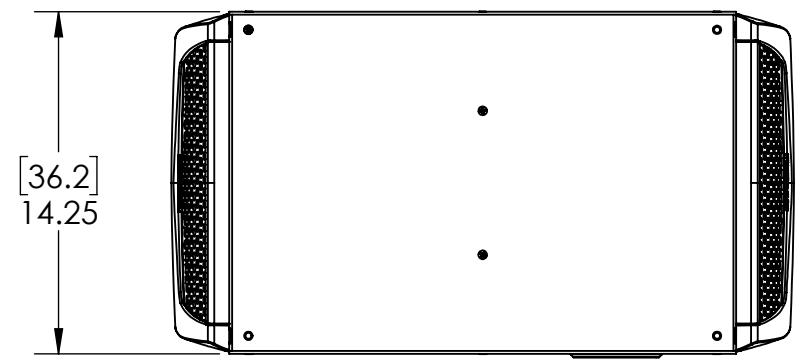


8 7 6 5 4 3 2 1


D
C
B
A

D
C
B
A



DIMENSIONS SHOWN IN [] ARE CM

| | | | |
|--------------------------------------|----------|-----------|----------|
| UNLESS OTHERWISE SPECIFIED: | | NAME | DATE |
| DIMENSIONS ARE IN INCHES | | DRAWN | NAR |
| TOLERANCES: | | CHECKED | 03/08/23 |
| FRACTIONAL ± 1/16 | | ENG APPR. | |
| ANGULAR: MACH ± 2 BEND ± 2 | | MFG APPR. | |
| TWO PLACE DECIMAL ± .03 | | | |
| THREE PLACE DECIMAL ± .015 | | | |
| INTERPRET GEOMETRIC TOLERANCING PER: | MATERIAL | | |
| COMMENTS: | MODEL: | | |
| - | | | |
| DO NOT SCALE DRAWING | | | |

| | | |
|--|----------|-----|
|  AIR INNOVATIONS® 7000 PERFORMANCE DRIVE, SYRACUSE, NY 13212, Tel. 315-452-7400 | | |
| TITLE: | | |
| TTW018, TTW009 | | |
| SIZE | DWG. NO. | REV |
| B | TTW | ~ |
| SHEET 1 OF 1 | | |

8 7 6 5 4 3 2 1