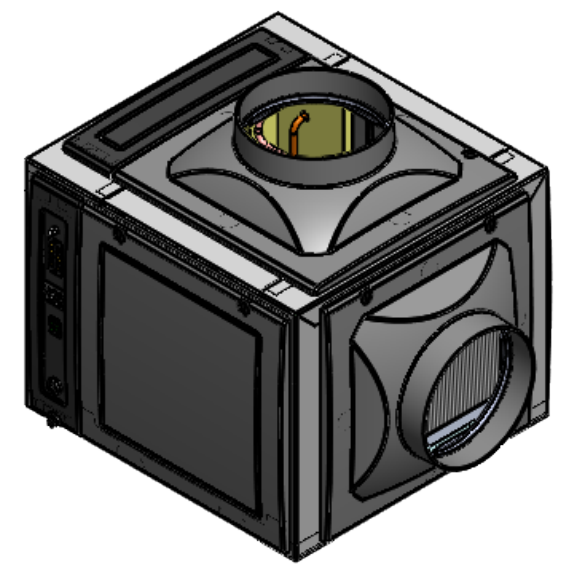
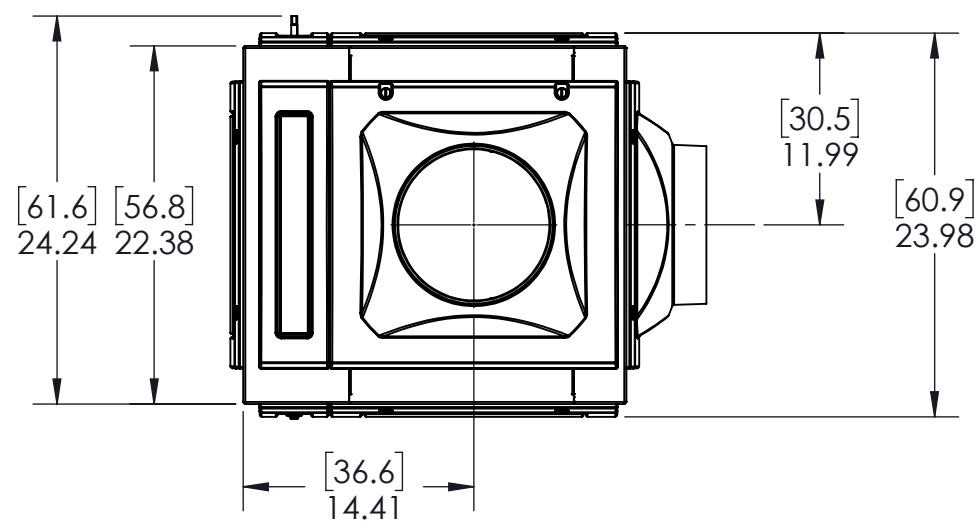


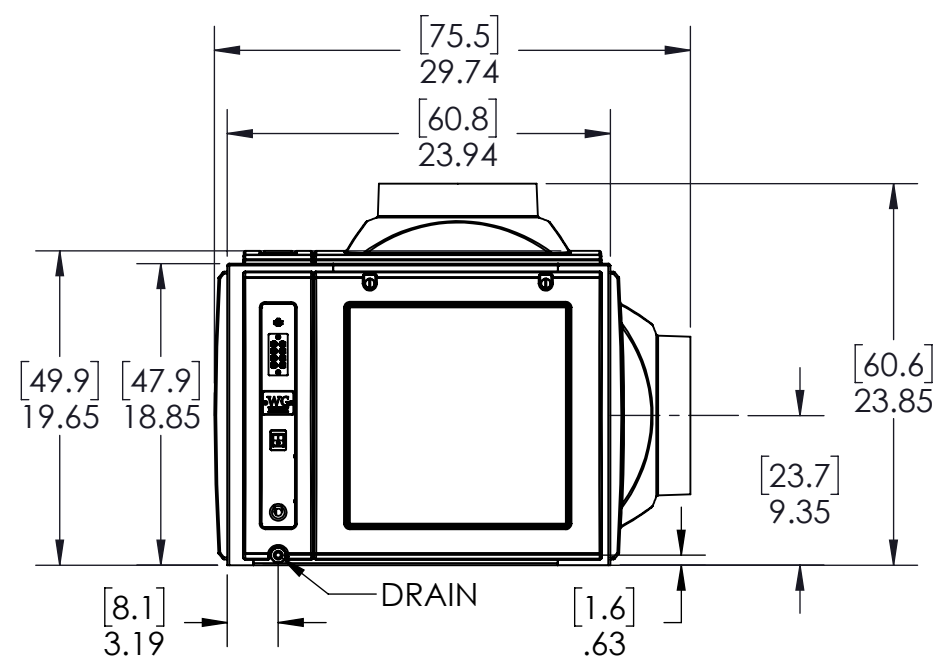
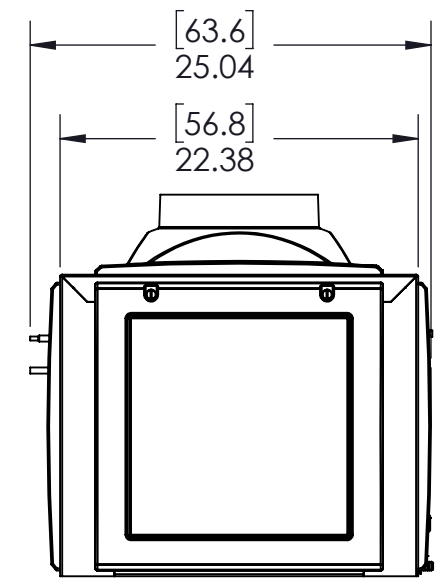
8 7 6 5 4 3 2 1

D

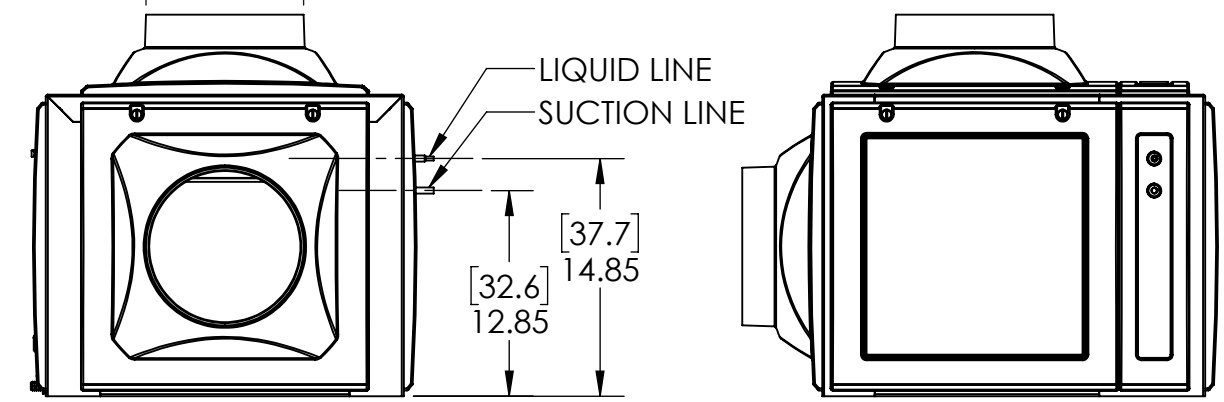


D

C



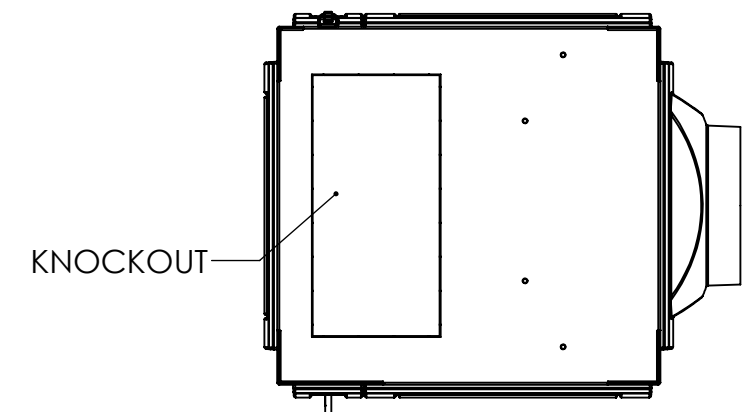
[25.0]  
Ø9.85  
ACCEPTS 10"  
DUCTS TYP.



B

B

A




A

8 7 6 5 4 3 2 1

DIMENSIONS SHOWN WITH [ ] ARE CM

UNLESS OTHERWISE SPECIFIED:	DRAWN	NAME	DATE
DIMENSIONS ARE IN INCHES	NAR		10/21/22
TOLERANCES:	CHECKED		
FRACTIONAL ± 1/16	ENG APPR.		
ANGULAR: MACH ± 2 BEND ± 2	MFG APPR.		
TWO PLACE DECIMAL ± .03			
THREE PLACE DECIMAL ± .015			
INTERPRET GEOMETRIC TOLERANCING PER:	MATERIAL		
COMMENTS:	MODEL:		
-			
DO NOT SCALE DRAWING			



**AIR INNOVATIONS®**

7000 PERFORMANCE DRIVE, SYRACUSE, NY 13212, Tel. 315-452-7400

TITLE: SP50, SP88, SP200

SIZE	DWG. NO.	CHASSIS B EVAP SPLIT PRO	REV
B			~

SHEET 1 OF 1