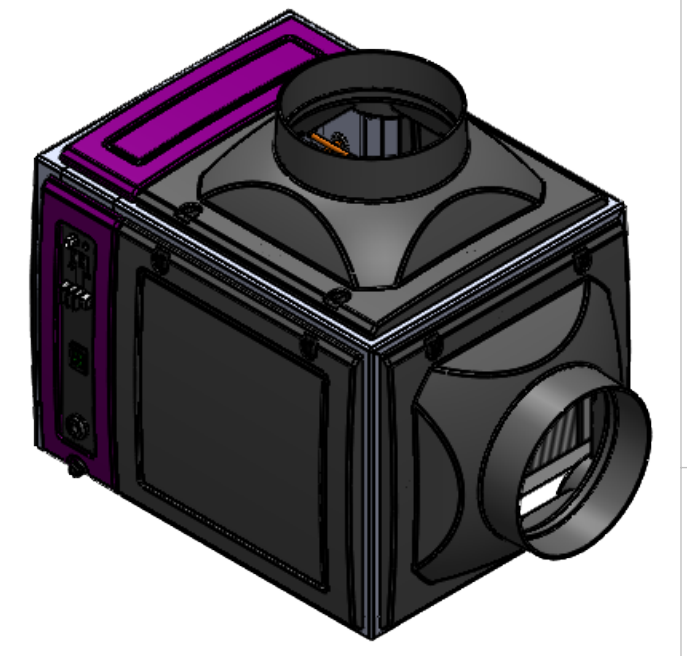
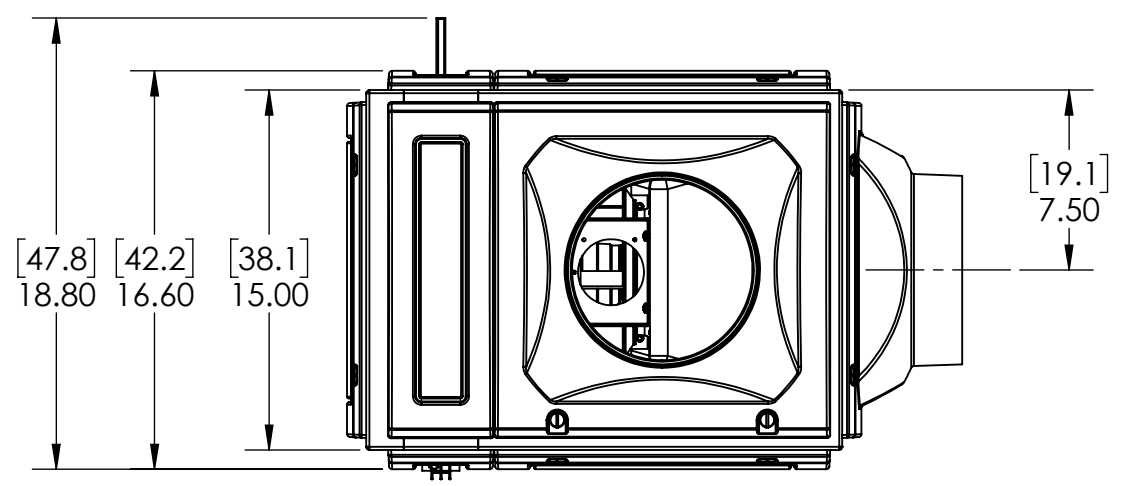


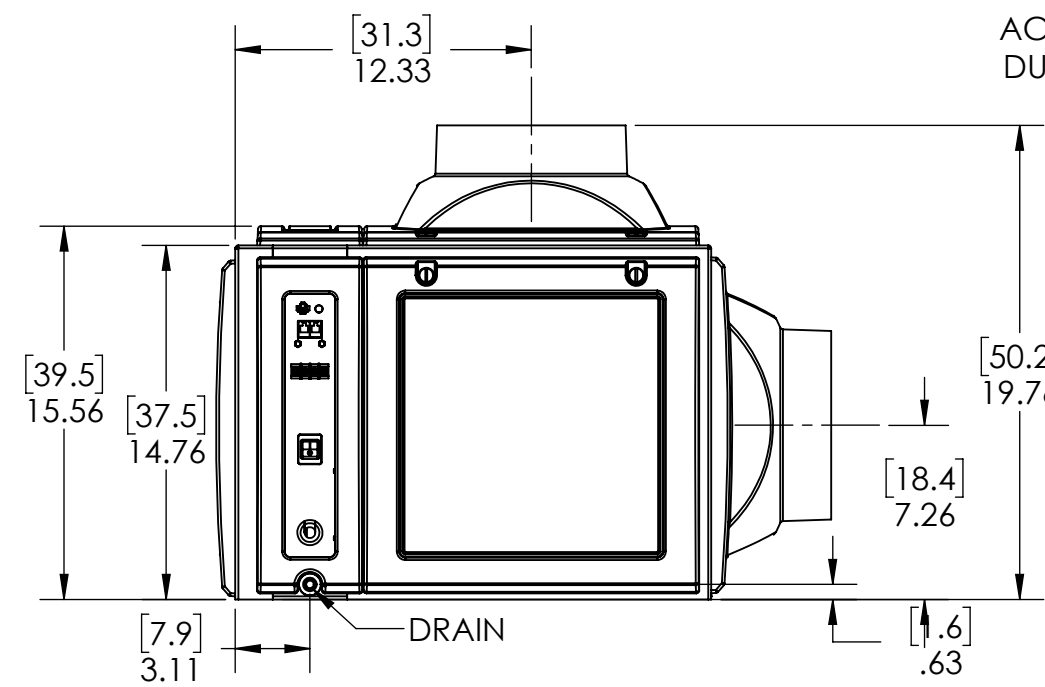
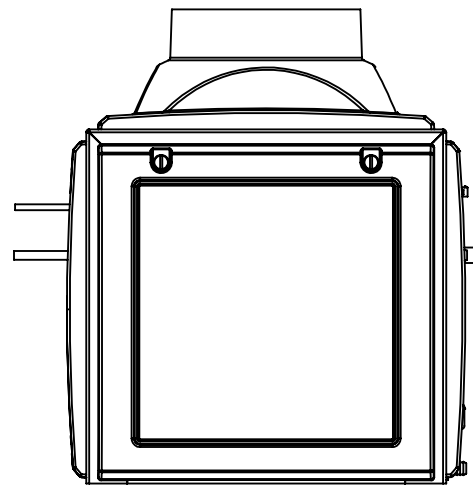
8 7 6 5 4 3 2 1

D

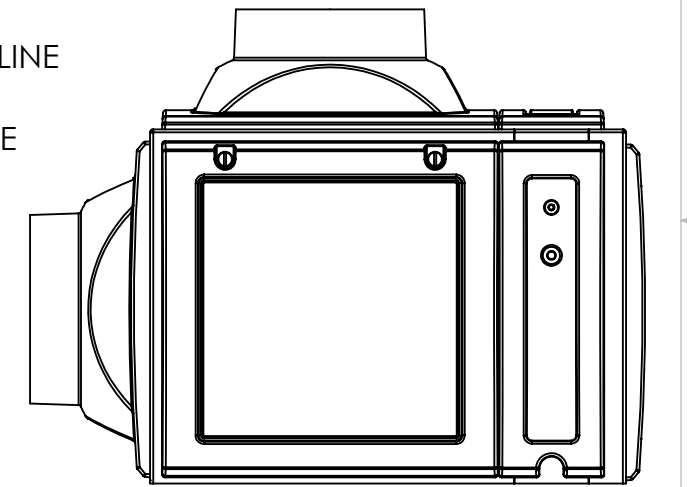
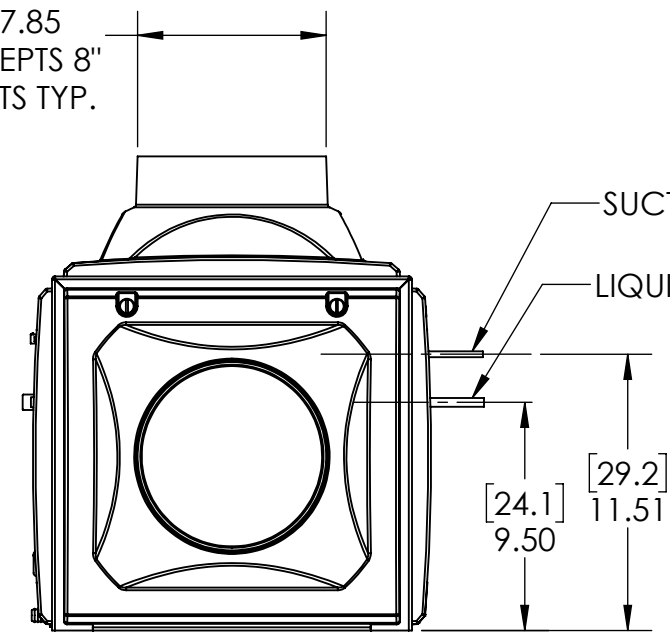


D

C



[19.9]
Ø 7.85
ACCEPTS 8"
DUCTS TYP.

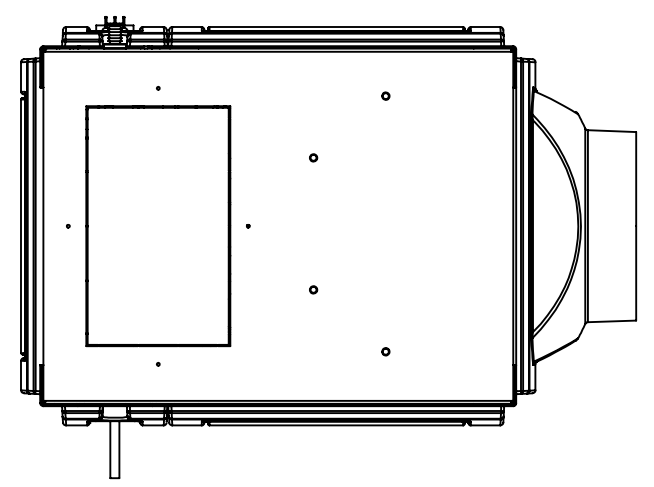


C

B

B

A



A

8 7 6 5 4 3 2 1

DIMENSIONS SHOWN WITH [] ARE CM

| | | | |
|--------------------------------------|-----------|------|----------|
| UNLESS OTHERWISE SPECIFIED: | | NAME | DATE |
| DIMENSIONS ARE IN INCHES | DRAWN | NAR | 03/08/23 |
| TOLERANCES: | CHECKED | | |
| FRACTIONAL ± 1/16 | ENG APPR. | | |
| ANGULAR: MACH ± 2 BEND ± 2 | MFG APPR. | | |
| TWO PLACE DECIMAL ± .03 | | | |
| THREE PLACE DECIMAL ± .015 | | | |
| INTERPRET GEOMETRIC TOLERANCING PER: | MATERIAL | | |
| COMMENTS: | MODEL: | | |
| - | | | |
| DO NOT SCALE DRAWING | | | |



| | | |
|--------------|----------------------|-----|
| TITLE: | | |
| DS025 | | |
| SIZE | DWG. NO. | REV |
| B | CHASSIS A EVAP SPLIT | ~ |
| SHEET 1 OF 1 | | |