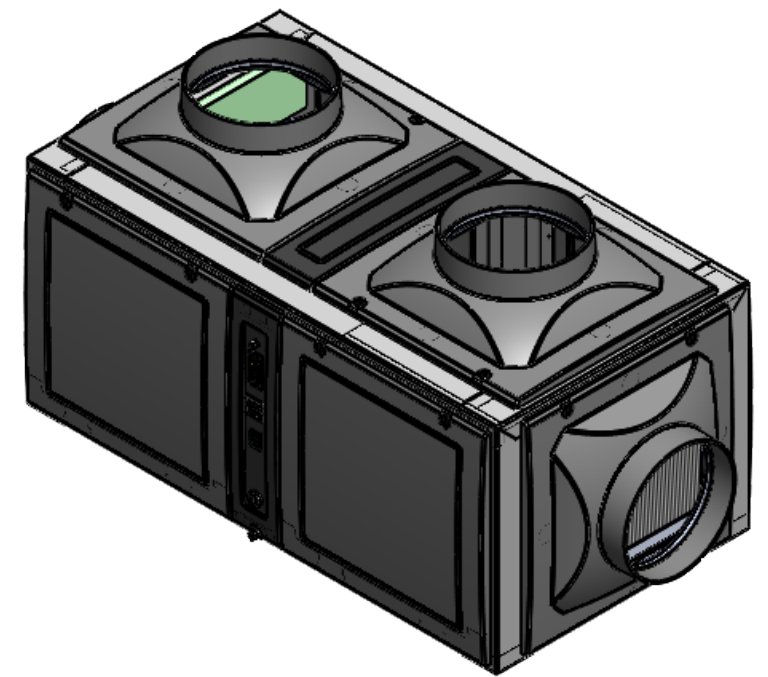
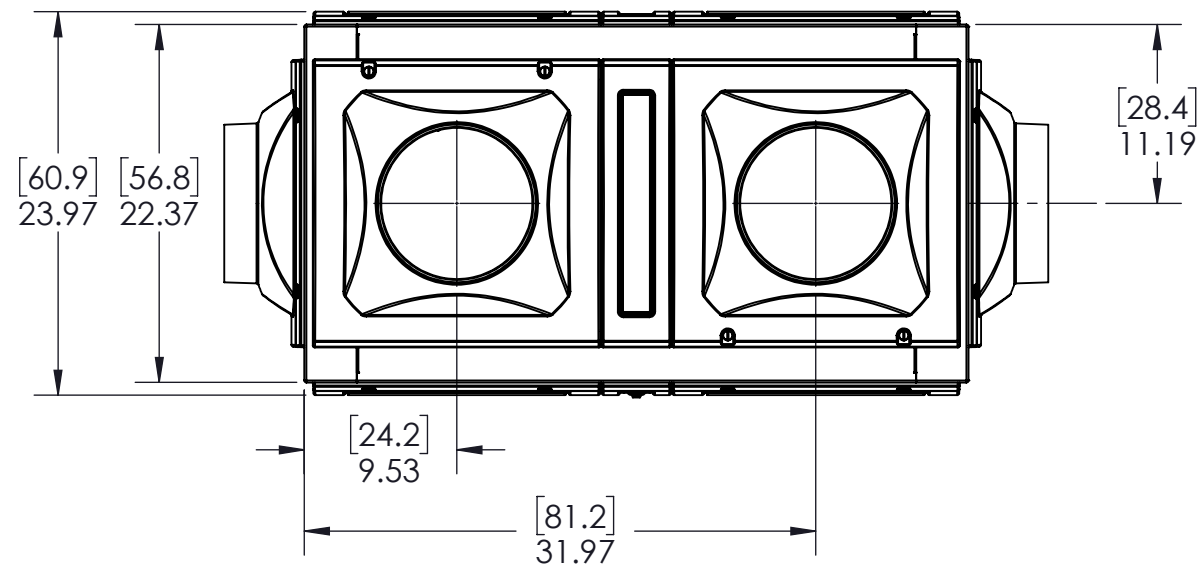


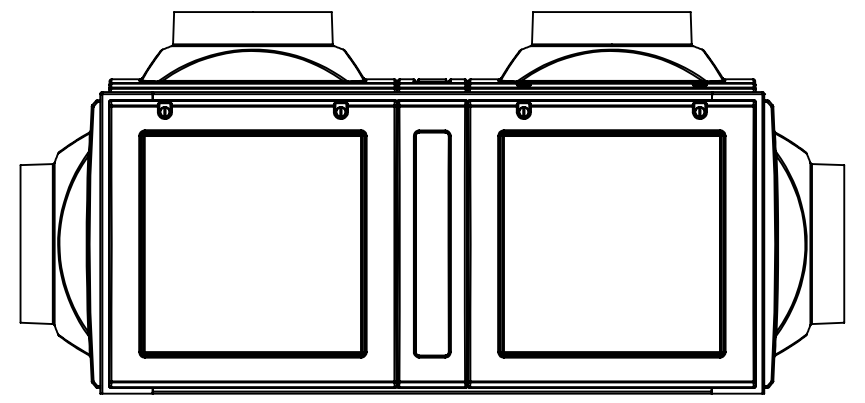
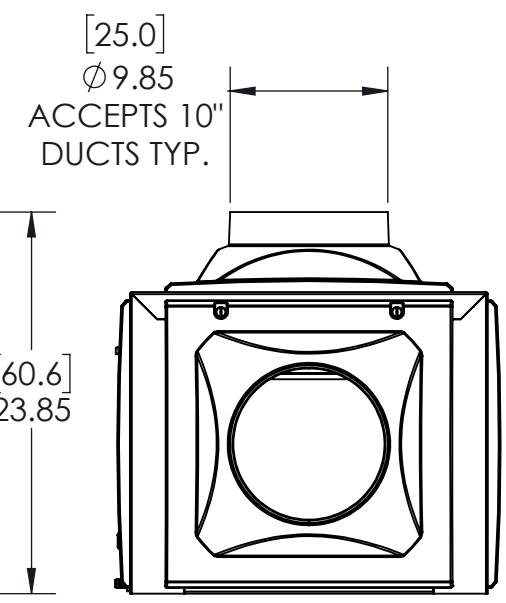
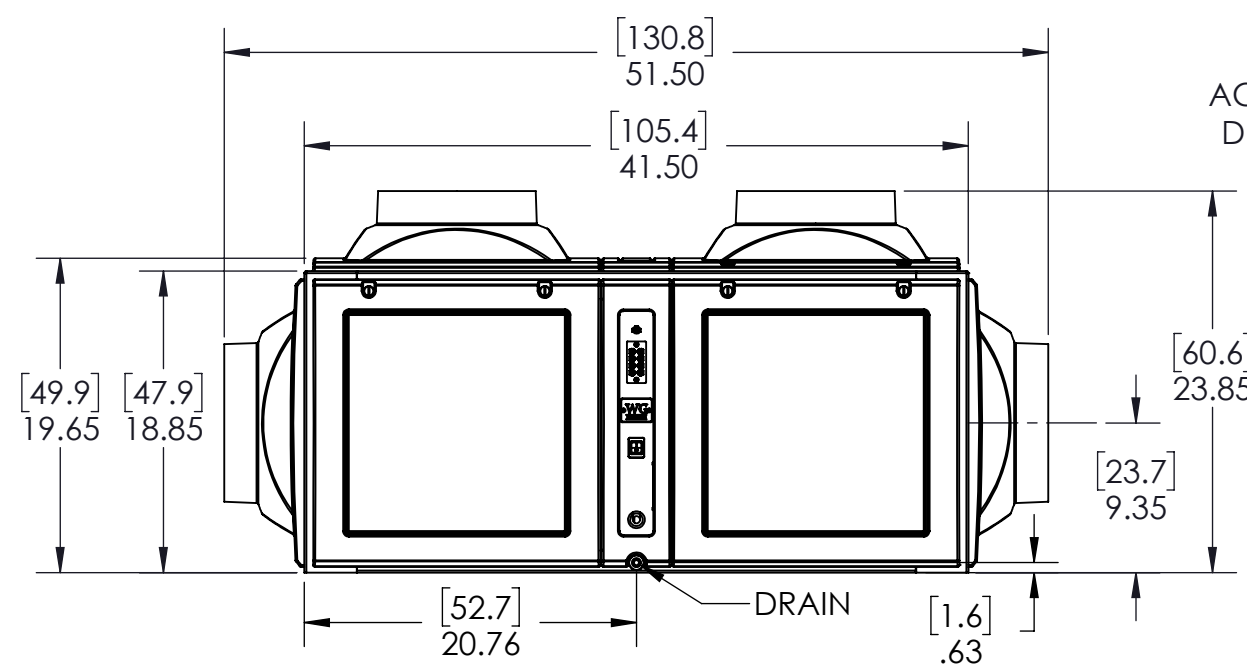
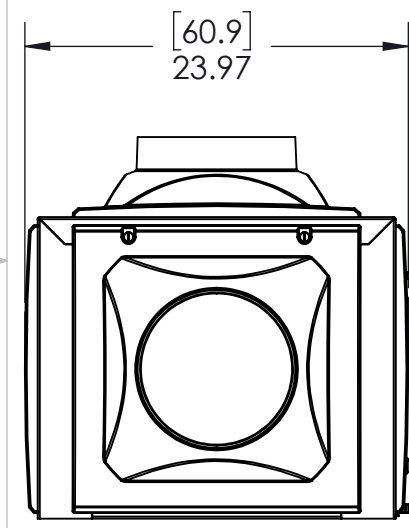
8 7 6 5 4 3 2 1

D



D

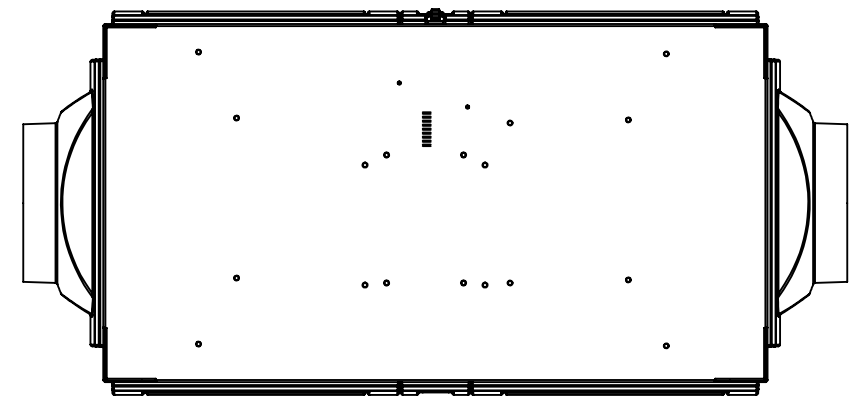
C



C

B

A



DIMENSIONS SHOWN WITH [ ] ARE CM

|                                      |           |      |          |
|--------------------------------------|-----------|------|----------|
| UNLESS OTHERWISE SPECIFIED:          | DRAWN     | NAME | DATE     |
| DIMENSIONS ARE IN INCHES             | NAR       | NAR  | 10/21/22 |
| TOLERANCES:                          | CHECKED   |      |          |
| FRACTIONAL ± 1/16                    | ENG APPR. |      |          |
| ANGULAR: MACH ± 2 BEND ± 2           | MFG APPR. |      |          |
| TWO PLACE DECIMAL ± .03              |           |      |          |
| THREE PLACE DECIMAL ± .015           |           |      |          |
| INTERPRET GEOMETRIC TOLERANCING PER: | MATERIAL  |      |          |
| COMMENTS:                            | MODEL:    |      |          |
| -                                    |           |      |          |
| DO NOT SCALE DRAWING                 |           |      |          |

**AIR INNOVATIONS®**  
 7000 PERFORMANCE DRIVE, SYRACUSE, NY 13212, Tel. 315-452-7400

TITLE: DP50, DP88, DP200

|      |          |                          |     |
|------|----------|--------------------------|-----|
| SIZE | DWG. NO. | CHASSIS B AIR COOLED PRO | REV |
| B    |          |                          | ~   |

SHEET 1 OF 1

8 7 6 5 4 3 2 1